



Flow-Thru T-Adapter

Monitor oxygen and nitric oxide level in flowing liquid or gas

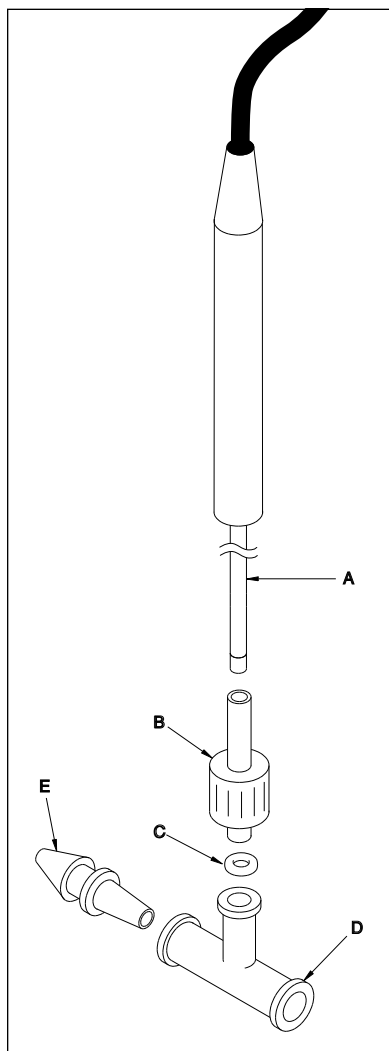


Figure 1

Flow-Thru T-Adapter #5399 may be used in continuous-flow monitoring of oxygen with WPI's **ISO₂** oxygen probe or monitoring of nitric oxide with WPI's **Iso-NO** probe. (Adapter #15722 fits only the smaller 1.2 mm Iso-NO probe.) The small tip and fast response time of these sensors allows continuous-flow monitoring of oxygen or nitric oxide with a small amount of fluid.

Instructions

- 1.** Pass the stainless steel sleeve of the probe (Fig. 1,A) through the male Luer lock adapter (B).
- 2.** Mount "O" ring (C) gently onto stainless steel sleeve (A), about 5 mm from tip.
- 3.** Insert the stainless steel sleeve (A) into Tee Luer fitting (D). As it is inserted, the bottom of the Luer lock adapter (B) will push the "O" ring (C) into

the Tee. Gently twist the adapter to lock it onto the Tee. The position of electrode tip in the Tee fitting can be adjusted by gently pushing or pulling the stainless steel sleeve.

The slip-type Luer fittings (E) are used to connect tubing into the two ports of the T-adapter. A completed assembly for continuous-flow monitoring of oxygen or nitric oxide is shown in Fig. 2. To disassemble the T-adapter from the probe, simply reverse the order of the steps mentioned above.

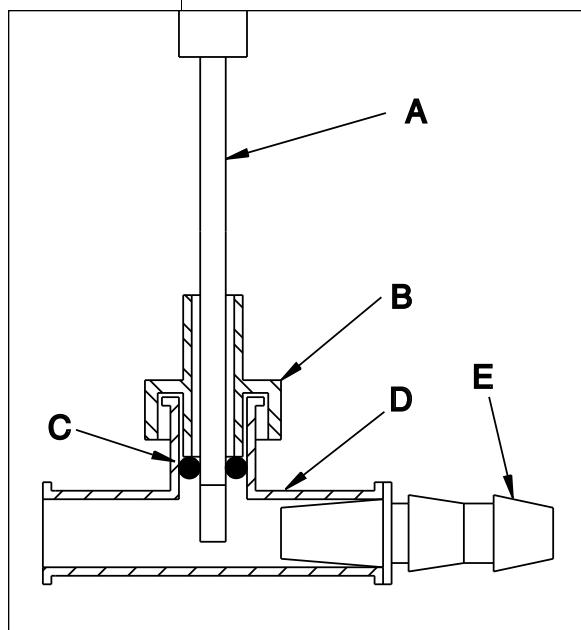


Figure 2

World Precision Instruments, Inc.

International Trade Center, 175 Sarasota Center Boulevard, Sarasota FL 34240-9258 USA
Telephone: 941-371-1003 • Fax: 941-377-5428 • E-mail: wpi@wpiinc.com

UK: Astonbury Farm Business Centre, Astonbury, Stevenage, Hertfordshire SG2 7EG England • Tel: 0438-880025 • Fax: 0438-880026

Germany: Liegnitzer Str. 15, D-10999 Berlin, Germany • Tel: 030-6188845 • Fax: 030-6188670

Japan: 1-4-2 Naka-Meguro, Meguro, Tokyo 153, Japan • Tel: 03-3220-5200 • Fax: 03-3220-5201