

Universal Manipulator Stand



Universal Manipulator Stand

501622 & 501623

Warranty

WPI (World Precision Instruments, Inc.) warrants to the original purchaser that this equipment, including its components and parts, shall be free from defects in material and workmanship for a period of one year* from the date of receipt. WPI's obligation under this warranty shall be limited to repair or replacement, at WPI's option, of the equipment or defective components or parts upon receipt thereof f.o.b. WPI, Sarasota, Florida U.S.A. Return of a repaired instrument shall be f.o.b. Sarasota.

The above warranty is contingent upon normal usage and does not cover products which have been modified without WPI's approval or which have been subjected to unusual physical or electrical stress or on which the original identification marks have been removed or altered. The above warranty will not apply if adjustment, repair or parts replacement is required because of accident, neglect, misuse, failure of electric power, air conditioning, humidity control, or causes other than normal and ordinary usage.

To the extent that any of its equipment is furnished by a manufacturer other than WPI, the foregoing warranty shall be applicable only to the extent of the warranty furnished by such other manufacturer. This warranty will not apply to appearance terms, such as knobs, handles, dials or the like.

WPI makes no warranty of any kind, express or implied or statutory, including without limitation any warranties of merchantability and/or fitness for a particular purpose. WPI shall not be liable for any damages, whether direct, indirect, special or consequential arising from a failure of this product to operate in the manner desired by the user. WPI shall not be liable for any damage to data or property that may be caused directly or indirectly by use of this product.

Claims and Returns

Inspect all shipments upon receipt. Missing cartons or obvious damage to cartons should be noted on the delivery receipt before signing. Concealed loss or damage should be reported at once to the carrier and an inspection requested. All claims for shortage or damage must be made within ten (10) days after receipt of shipment. Claims for lost shipments must be made within thirty (30) days of receipt of invoice or other notification of shipment. Please save damaged or pilfered cartons until claim is settled. In some instances, photographic documentation may be required. Some items are time-sensitive; WPI assumes no extended warranty or any liability for use beyond the date specified on the container

Do not return any goods to us without obtaining prior approval and instructions from our Returns Department. Goods returned (unauthorized) by collect freight may be refused. Goods accepted for restocking will be exchanged or credited to your WPI account. Goods returned which were ordered by customers in error are subject to a 25% restocking charge. Equipment which was built as a special order cannot be returned.

Repairs

Contact our Customer Service Department for assistance in the repair of apparatus. Do not return goods until instructions have been received. Returned items must be securely packed to prevent further damage in transit. The Customer is responsible for paying shipping expenses, including adequate insurance on all items returned for repairs. Identification of the item(s) by model number, name, as well as complete description of the difficulties experienced should be written on the repair purchase order and on a tag attached to the item.

* Electrodes, batteries and other consumable parts are warranted for 30 days only from the date on which the customer receives these items.



World Precision Instruments, Inc.

USA

International Trade Center, 175 Sarasota Center Blvd., Sarasota FL 34240-9258
Tel: 941-371-1003 • Fax: 941-377-5428 • E-mail: sales@wpiinc.com

UK

Astonbury Farm Business Centre • Aston, Stevenage, Hertfordshire SG2 7EG
Tel: 01438-880025 • Fax: 01438-880026 • E-mail: wpiuk@wpi-europe.com

Germany

Liegnitzer Str. 15, D-10999 Berlin
Tel: 030-6188845 • Fax: 030-6188670 • E-mail: wpide@wpi-europe.com

Japan

Physio-Tech Co., Ltd.
1-6-3 Iwamoto-cho, Chiyoda-ku, Tokyo 100-0032
Tel: 81-3-3864-2781 • Fax: 81-3-3864-2787 • E-mail: sales@physio-tech.co.jp

Australia

Cohherent Life Sciences Pty. Ltd.
116 Sir Donald Bradman Dr • Hilton, South Australia 5033
Tel: (03) 9887-6262 • Fax: (03) 9887-9585 • E-mail: wpi.au@ozemail.com.au

Internet

www.wpiinc.com • www.wpi-medical.com
www.nitricoxide.net • www.pipetter.com

www.wpiinc.com

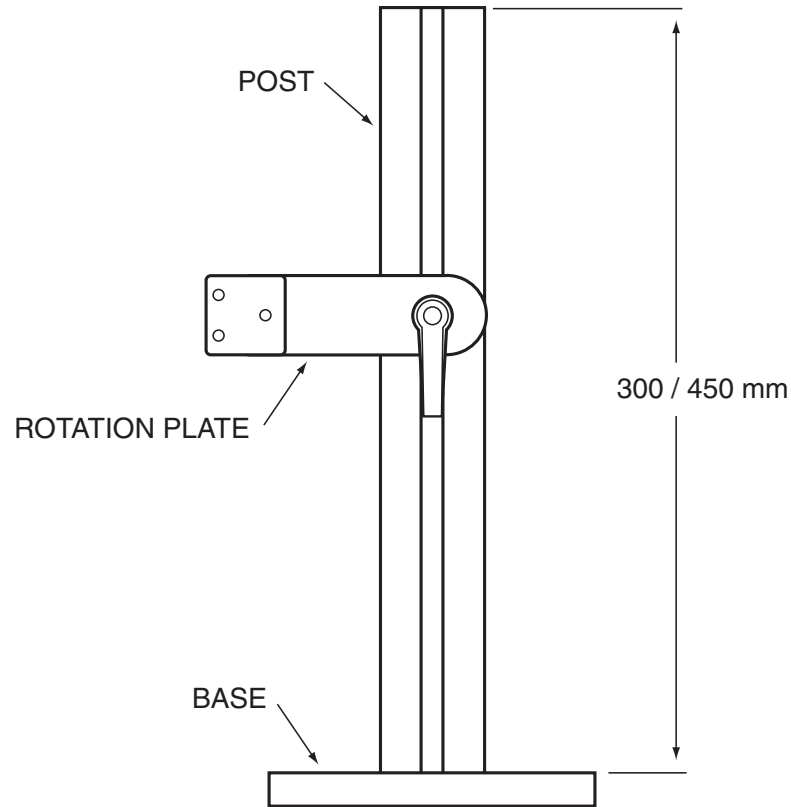
INSTRUCTION MANUAL

030503

World Precision Instruments



Universal Manipulator Stand



MOUNTING INSTRUCTIONS

1. Using the 5.0 mm Allen Wrench, remove the four (4) M6 socket head screws from the bottom of the Post and attach the Base to the Post.
2. Turn the Handle **1/4 of a turn** to loosen the Rotation Plate. Move the Rotation Plate until it is perpendicular (90°) to the Post. Tighten the Rotation Plate.
3. Using the 3.0 mm Allen Wrench remove the two (2) M4 socket head screws that hold the rod-clamp bracket to the back of the manipulator. In older manipulators, use the 2.5 mm Allen Wrench to remove the two (2) M3 socket head screws that hold this bracket.
4. Using the two **stainless steel M4x8 socket screws** included in the set, attach the manipulator to the Rotation Plate. In Older manipulators, use the two **stainless steel M3x8 socket screws and washers** included in the set.
5. Mount the manipulator-stand assembly to the working surface with the 1/4-20 screws with knobs and washers included in this set.
6. Hold the manipulator, and then turn the Handle **1/4 of a turn** to loosen the Rotation Plate. Adjust the height and the tilting angle. Tighten the Rotation Plate.

PARTS LIST

- Base.
- Post (300 mm or 450 mm) with Rotation Plate, Handle, M6 screws (4) and Top Cap.
- M4x8 socket head screw (2).
- M3x8 socket head screw (2) and washer (2).
- 2.5 mm. Allen Wrench.
- 3.0 mm. Allen Wrench.
- 5.0 mm. Allen Wrench.
- 1/4-20 screw with knob (2) and washer (2).
- M6x20 socket head screw.

ADJUSTABLE HANDLE



The handle can be disengaged from the clamping screw and rotated to 16 different positions. To do this lift the handle, rotate it to the desired position and then release the handle to engage it back to the clamping screw.

ADJUSTABLE HANDLE REPLACEMENT

When the Rotation and Manipulator are tilted down to an angle of 25° or less, the Adjustable Handle might interfere with the operation of the Manipulator. The Adjustable Handle can be replaced with the M6x20 socket head cap screw included in the set. To replace the Adjustable Handle, slowly remove the Handle and follow the description given in the figure above.

